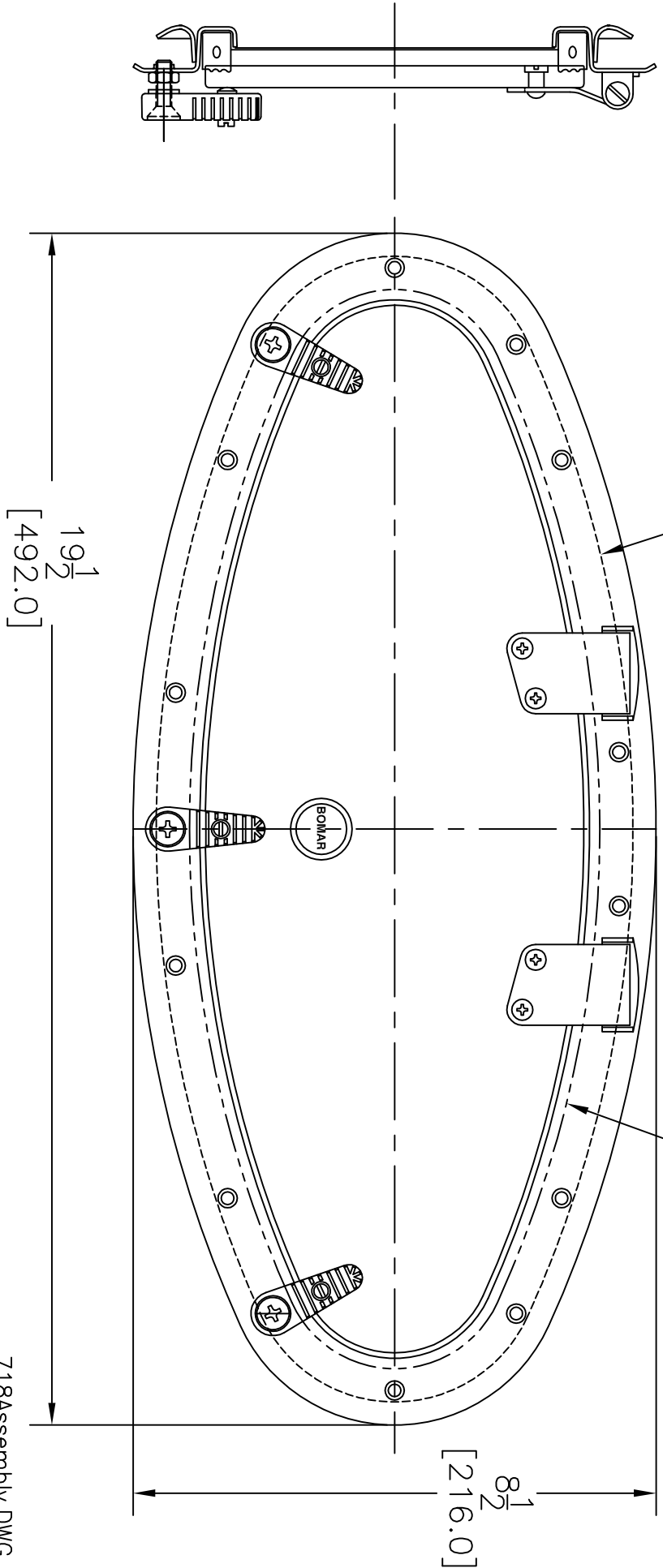


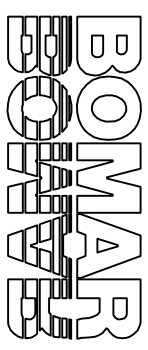
REV	DESCRIPTION	DATE

EXTERIOR FLANGE OD  
 $18\frac{3}{4}$   $7\frac{3}{4}$   
 [473.0 X 197.0]

HULL CUTOUT  
 $17\frac{1}{2}$  X  $6\frac{3}{4}$   
 [446.0 X 169.0]



718Assembly.DWG



DIV. OF **Pompanette** INC.  
 S.W. ST. PO BOX W  
 CHARLESTOWN, N.H. 03603  
 PH. (603) 826 5791  
 FAX (603) 826 3074

718 ST STL PORTLIGHT

TOLS.	TITLE		
FRACT.	.XXX		
DEC.	MATL.	DRAWN BY	RRR
DEC: XX	NONE	SCALE	A
DEC.	DATE	PART NO.	718
	2/25/98		1 of 1